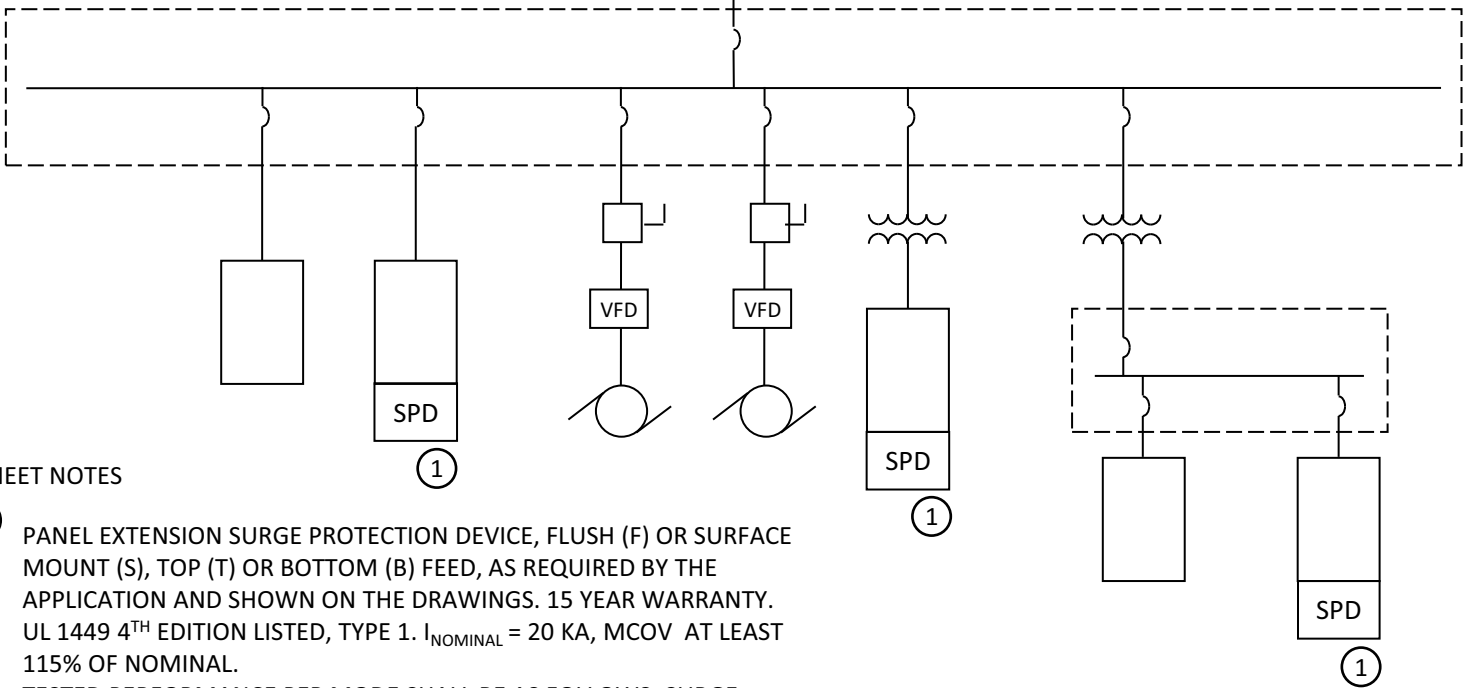


Panel Extension (PX3) SPD for Panelboards

Load Side of the Main Breaker

Connection Thru a Breaker



SHEET NOTES

- ① PANEL EXTENSION SURGE PROTECTION DEVICE, FLUSH (F) OR SURFACE MOUNT (S), TOP (T) OR BOTTOM (B) FEED, AS REQUIRED BY THE APPLICATION AND SHOWN ON THE DRAWINGS. 15 YEAR WARRANTY. UL 1449 4TH EDITION LISTED, TYPE 1. $I_{NOMINAL} = 20 \text{ KA}$, MCOV AT LEAST 115% OF NOMINAL. TESTED PERFORMANCE PER MODE SHALL BE AS FOLLOWS. SURGE CURRENT CAPACITY: (Insert from Column A below). REPETITIVE IMPULSE CAPACITY: (Insert from Column B below). SUBMIT TESTING DOCUMENTATION: SURGE CURRENT CAPACITY AND REPETITIVE IMPULSE CAPACITY. NETWORK-BASED MONITORING SYSTEM. STATUS, PERFORMANCE AND POWER QUALITY MONITORING THROUGH THE FACILITY'S NETWORK VIA A WEBSERVER. NO SOFTWARE IS REQUIRED. AFTER INSTALLATION, USE A PORTABLE SURGE GENERATOR/TEST SET TO CONFIRM THE OPERABILITY OF ALL SPD COMPONENTS AND THE PRESENCE OF A NEUTRAL-TO-GROUND BOND. MEASURE AND RECORD ALL LET-THRU VOLTAGES AND SUBMIT THE REPORT TO THE ENGINEER. CURRENT TECHNOLOGY MODEL (Insert from chart below). FOR PANEL 1000 A - 2000 A, FEED SPD WITH A 100 A/3P BREAKER. FOR PANEL 200 A - 800 A, FEED SPD WITH A 60 A/3P BREAKER. FOR PANEL 1000 A - 2000 A, USE 4 #2 AWG & 1 #2 AWG GROUND. FOR PANEL 200 A - 800 A, USE CURRENT TECHNOLOGY HPI-6Y.

Product Application		
Source Current Rating	Surge Current Capacity per Mode (x2 per Phase)	
	No Upstream SPD	With Upstream SPD
2000 A	200 kA	100 kA
1600 A	150 kA	80 kA
1000 A - 1200 A	125 kA	180 kA
800 A	100 kA	50 kA
400 A - 600 A	80 kA	50 kA
200 A	50 kA	50 kA

Application Specific Performance and Model Numbers

COLUMN A	COLUMN B	480Y/277 V Systems	208Y/120 V Systems
Surge Current Capacity per Mode (x2 per phase)	Repetitive Impulse Capacity per Mode	Type 2 Connection Thru Breaker	Type 2 Connection Thru Breaker
200 KA	9,000	PX3-200-480-3Y-M(F or S)(T or B)-M4-F	PX3-200-208-3Y-M(F or S)(T or B)-M4-F
150 KA	8,000	PX3-150-480-3Y-M(F or S)(T or B)-M4-F	PX3-150-208-3Y-M(F or S)(T or B)-M4-F
125 KA	7,500	PX3-125-480-3Y-M(F or S)(T or B)-M4-F	PX3-125-208-3Y-M(F or S)(T or B)-M4-F
100 KA	7,000	PX3-100-480-3Y-M(F or S)(T or B)-M4-F	PX3-100-208-3Y-M(F or S)(T or B)-M4-F
80 KA	6,000	PX3-080-480-3Y-M(F or S)(T or B)-M4-F	PX3-080-208-3Y-M(F or S)(T or B)-M4-F
50 KA	5,000	PX3-050-480-3Y-M(F or S)(T or B)-M4-F	PX3-050-208-3Y-M(F or S)(T or B)-M4-F

For other voltage configurations and options, see the SL3 Series Product Configuration Guide